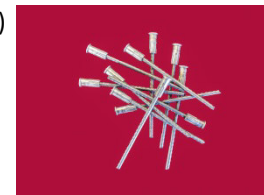


Insulations-pins and clips

Insulation systems of HILBIG are produced for steel, stainless steel and aluminium applications to fix insulation material.

- ✓ easy mounting
- ✓ quick mounting and thus cost saving
- ✓ corrosion resistance and fire-resistant (WN-Clips)
- ✓ installable in all positions (one sided access possible, applicable on very thin plates)
- ✓ bimetal usage for aluminium application
- ✓ low price for standard insulation pins



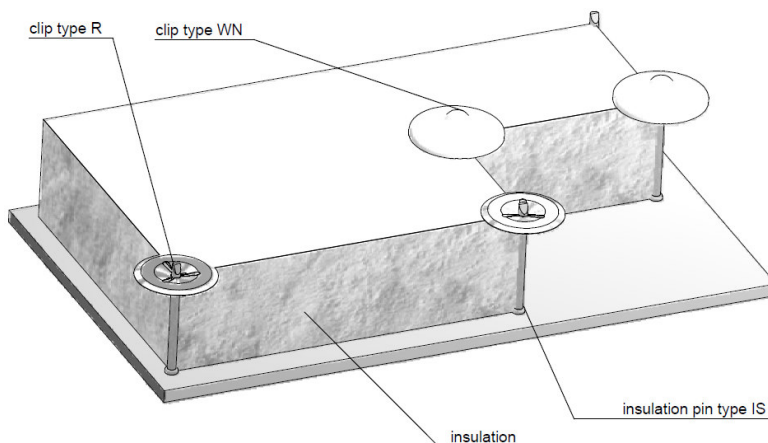
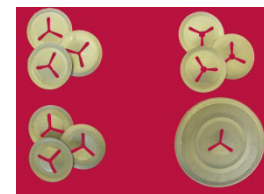
Compact stud welding equipment

Technical Data	ELOTOP 502 ISO	SK 14 ISO
Stud welding with ceramic ferrule Weldable stud range ϕ (mm)	3 – 8	3-10
Short cycle stud welding Weldable stud range ϕ (mm)	3 – 6	3-10
Stud welding with shielding gas Weldable stud range ϕ (mm)	3 – 8	3-10
Mains plug at 400V (A)	32	-
Housing dimensions (LxWxH) mm	375 x 220 x 285	-
Weight (abt. kg)	28	0,9 (ohne Kabel)



Insulation pins in different variations allow a varied use. Whether a steel-copper plated pin, a stainless steel pin or a bimetal pin with aluminium foot and steel pin, HILBIG offers you the right solution for your specific demand.

The HILBIG clip distinguishes itself by its simple mounting with one hand and the little effort that is necessary. Because of its high dimension exactness and the material quality, the HILBIG clip has a very high holding force which it also doesn't lose at high temperatures in case of fire. For a good corrosion resistance the clip is provided with a zinc layer or completely made out of stainless steel.





Ship-insulation



Insulation pins type IS



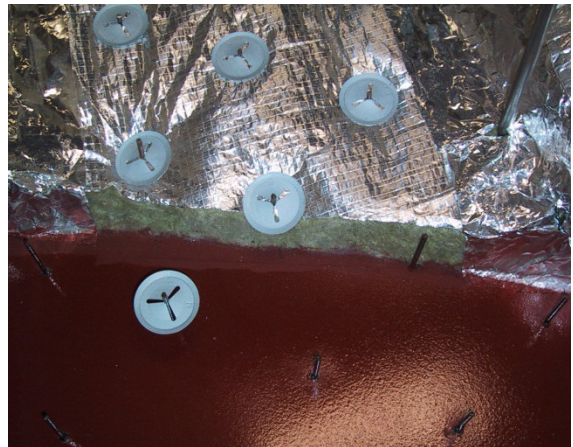
Clip type R



Pin type VBS + clip type WN



Ship-insulation type IS



Clip type R



Tel.+49 4105/580 38-0
Fax.. +49 4105/580 38-38
info@hilbig-gmbh.de

