



Ceiling- Wall-and Floor Fastening



Output: 2021
Language: English
Ceiling and Floor



Table of contents

Application example fastener type H	2
Application example fastener type H	3
Fastener type H without vibrating element	4
Application example fastener type HG	5
Application example fastener type HG 40 H	7
Fastener type HG 40 H with vibrating element.....	8
Application example fastener type HG40 T	9
Fastener type HG40 T with vibrating element	10
Application example fastener type HG40 GM	11
Fastener type HG40 GM with vibrating element	12
Application example fastener type HG40 W.....	13
Fastener type HG40 W with vibrating element.....	14
Application example fastener type HG40 U	15
Fastener type HG40 U with vibrating element.....	16
Elastic characteristics HG40.....	17
Application example fastener type HG 18 H	18
Fastener type HG18 H with vibrating element.....	19
Application example fastener type HG 18 W.....	20
Fastener type HG18 W with vibrating element.....	21
Application example fastener type HG 18 WM.....	22
Fastener type HG18 WM with vibrating element.....	23
Application example suspension	24
Application example threaded stud connector type GS	25
Threaded stud connector type GS	26
Application example ceiling suspension type HDAL	27
Ceiling suspension type HDAL	28
Application example floor support Type FBL.....	29
Application example Floor support without vibrating element FBL type K and type U.....	30
Floor support without vibrating element FBL K	31
Floor support without vibrating element type FBL U	32
Application example floor support type FBLE	33
Application example floor support with vibrating element type FBLE	34
Floor support with vibrating element type FBLE.....	35
Assembly parts	36



Application example fastener type H



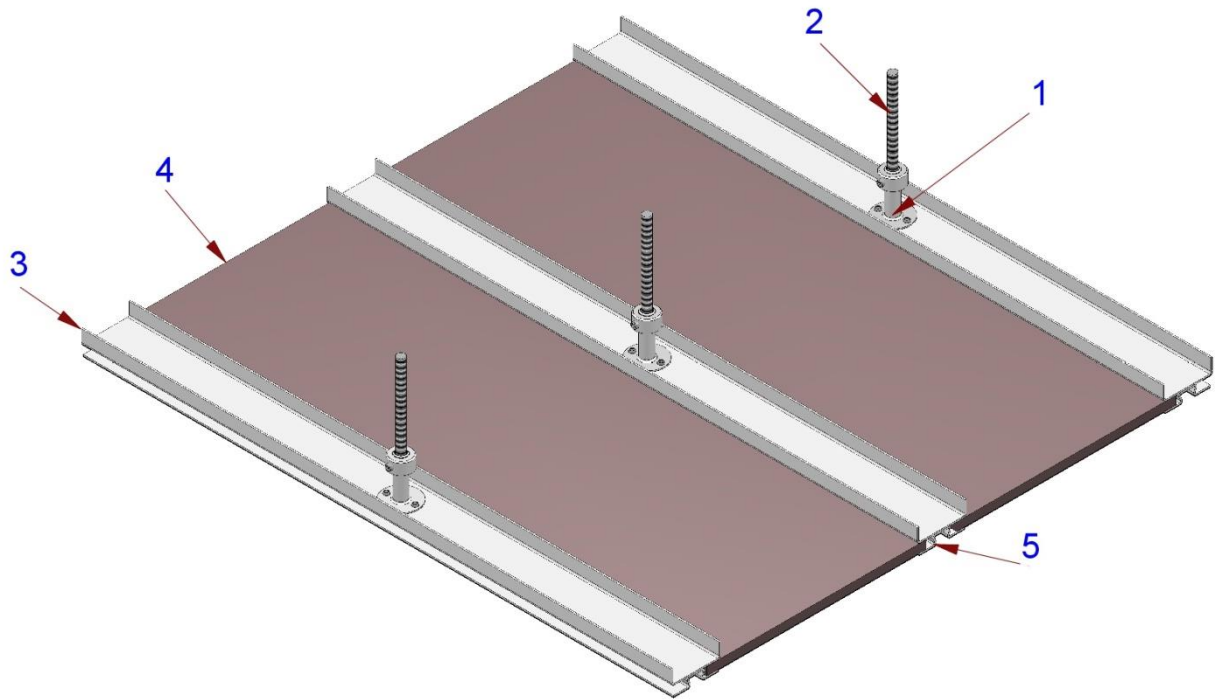
Hilbig fasteners type H can be used in areas which do not need to be isolated from vibrations and/or noises.

K2021-2-D/W

Hilbig GmbH • Postweg 204 • 21218 Seevetal • Germany



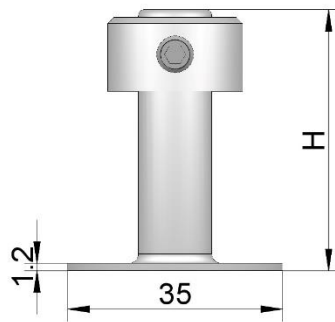
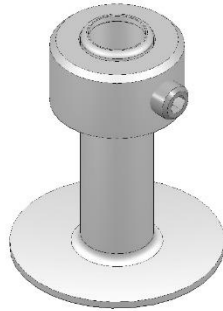
Application example fastener type H



1. Fastener type H40
2. Welding stud M8
3. Ceiling profile
4. Ceiling
5. cover rail



Fastener type H without vibrating element



description	part-no..	unit	H	for stud	material
H 25	H13287	500	25	M8/8mm	StZn
H 40	H10507	500	40		

Advantages:

- Quick mounting
- High distance balance
- Installable in all positions
- Fire resistant
- maximum permissible load= 250N/fastener

Other materials or dimensions on request



Application example fastener type HG

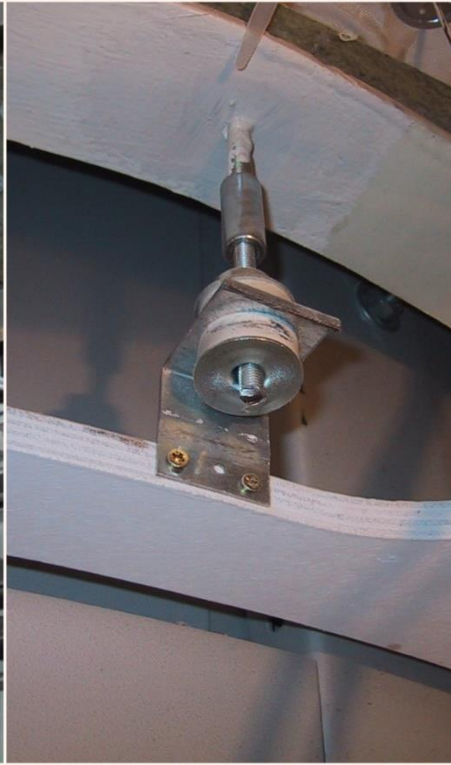


Technical requirements, new guidelines and the individuality used in today's ship construction face us with the task of continually optimizing our product range. The requirements and preferences of our customers are top priority and flow into our solutions and products.

Hilbig fasteners type HG can be used in areas which need to be isolated from vibrations and/or noises.

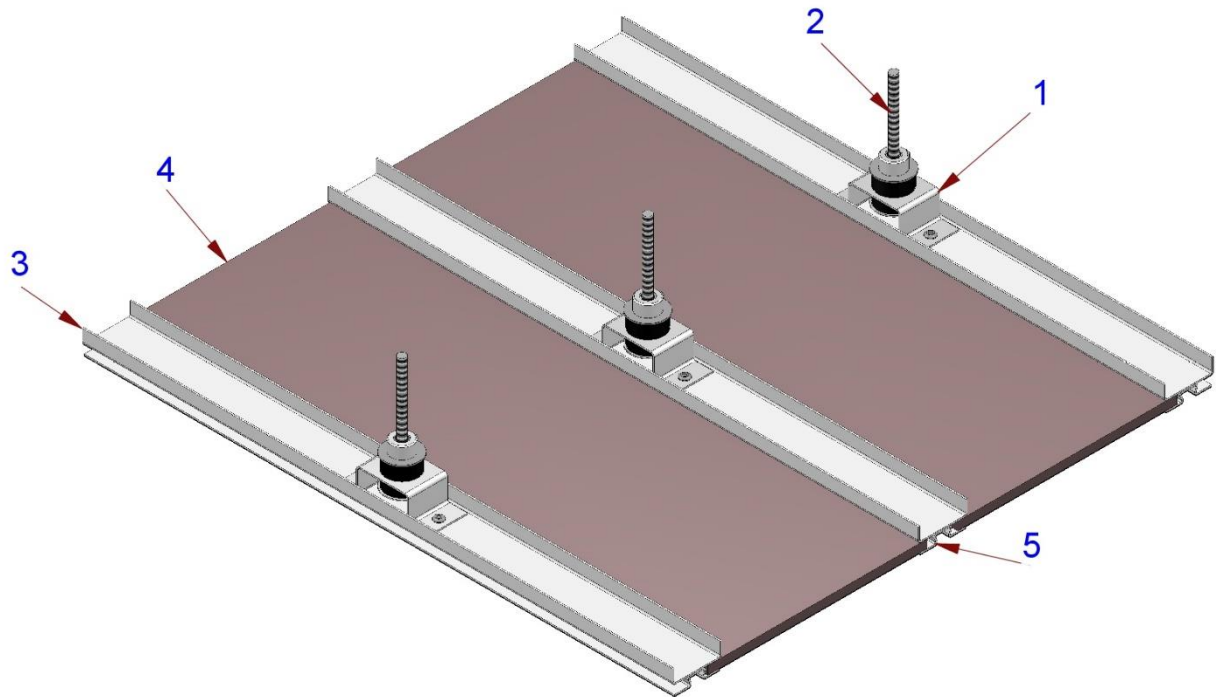
The HG fasteners with vibrating element are available for different system rail constructions.

We can offer the respective solutions for the fastening of your system rail constructions in steel, Cr-Ni-steel or Aluminium construction areas.





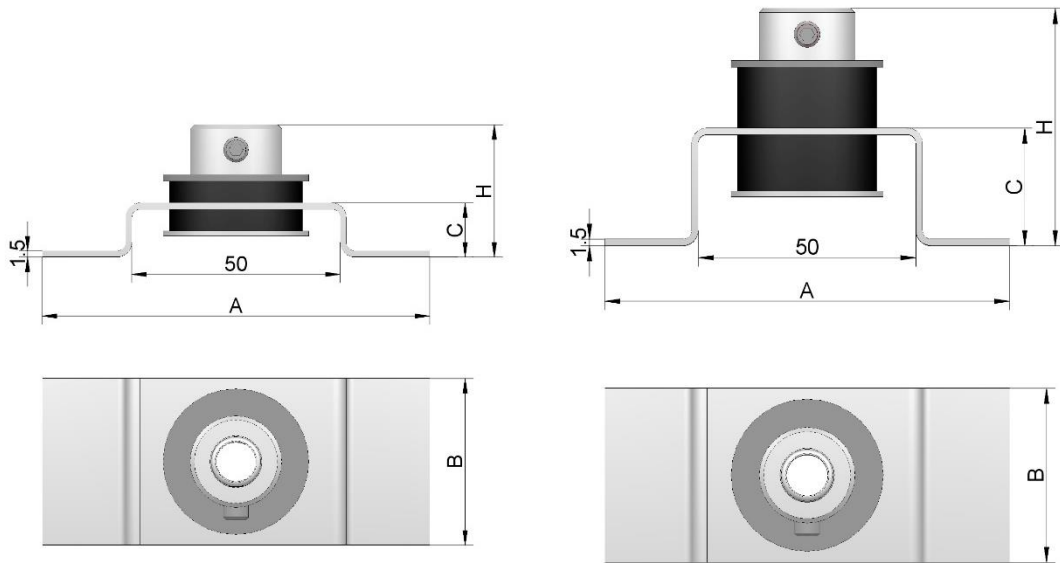
Application example fastener type HG 40 H



1. Fastener type HG40/25H 40°shore
2. Welding stud M8
3. Ceiling profile
4. Ceiling
5. cover rail



Fastener type HG 40 H with vibrating element



description	Shore	part-no.	unit	dimension				for stud	material
				A	B	C	H		
HG 40/13 H	40°±5 TPE	H25213	150	93	40	13	35	M8/8mm	StZn
HG 40/25 H		H10512	100			25	54		
HG 40/50 H		H13647	150			50	79		
HG 40/80 H		H25080	100			80	107		
HG 40/100 H		H10513				100	130		
HG40/13 H	40°±5 TPE	H25669	150	93	40	13	35	M8/M10	1.4571
HG40/25 H		H25310	100			25	54		
HG40/50 H		H25467	150			50	79		
HG40/13 H	40°±5 silicone	H25790	150	93	40	13	35	M8/8mm	StZn
HG40/25 H		H25791	100			25	45		
HG40/50 h		H25802	150			50	70		
HG40/25 H	50°±5 TPE	H25387	100	93	40	25	54	M8/8mm	StZn
HG40/50 H		H25704	150			50	79		

Advantages:

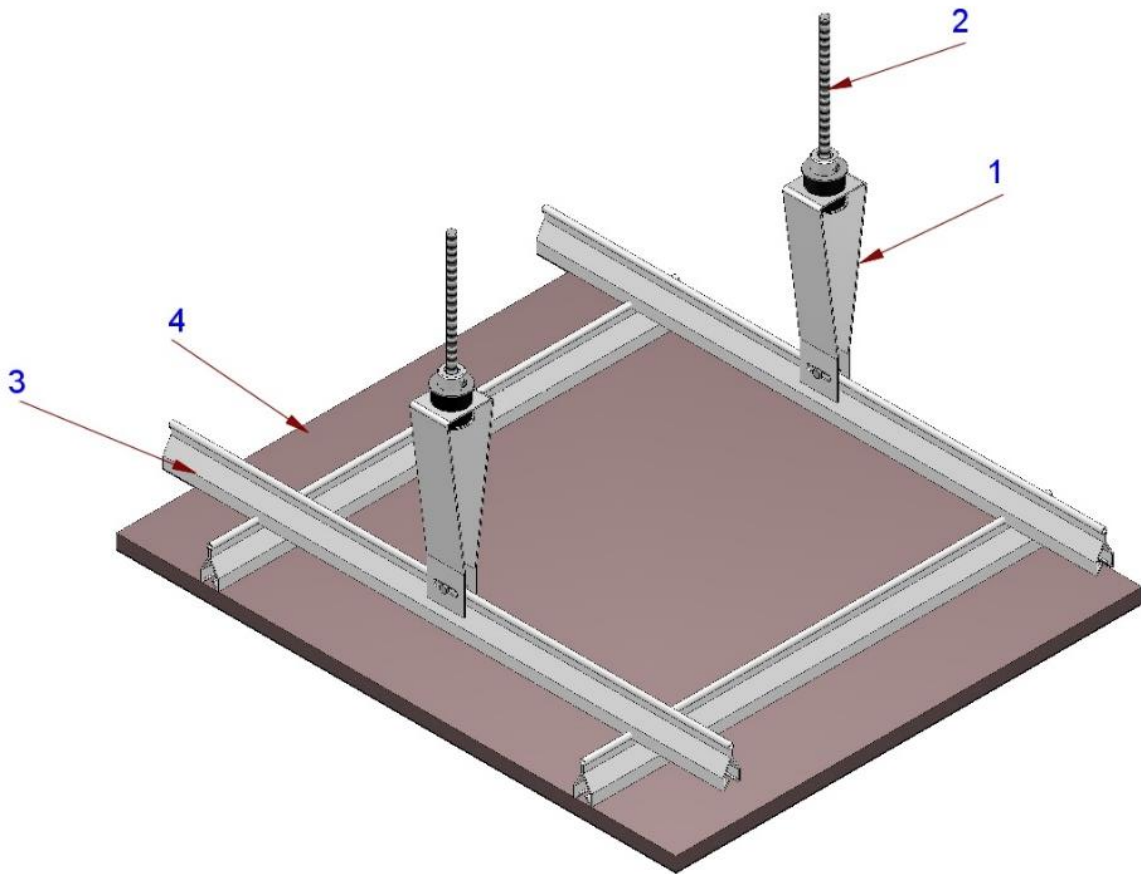
- Quick mounting
- High distance balance
- Installable in all positions
- Fire resistant
- Maximum permissible load= 250N/fastener

Other materials or dimensions on request

K2021-8-D/W

Hilbig GmbH • Postweg 204 • 21218 Seevetal • Germany

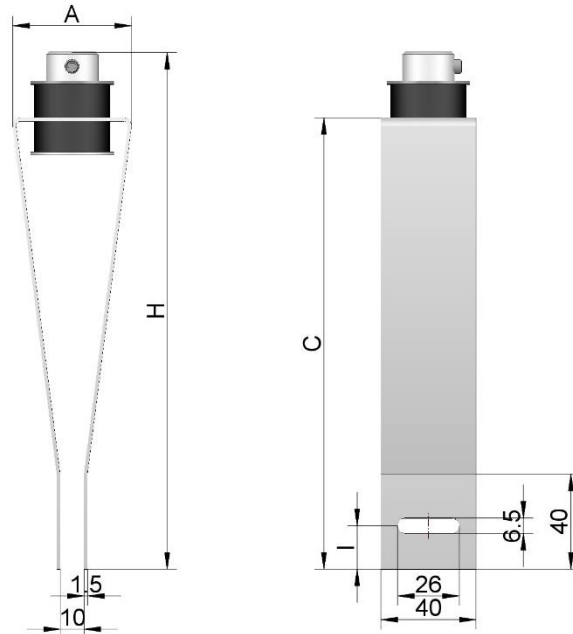
Application example fastener type HG40 T



1. Fastener type HG40/190T 40°shore
2. Welding stud M8
3. Ceiling profile
4. Ceiling



Fastener type HG40 T with vibrating element



description	shore	Part-no.	unit	dimension				for stud	material
				A	I	C	H		
HG 40/100 T	40°±5 TPE	H25530	100	50	15	100	129	M8/8mm	StZn
HG 40/100 T		H25743	100		20	100	129		
HG 40/190 T		H11229	75		15	190	219		
HG40/190 T	40°±5 TPE	H25733	75	50	15	190	219	M8/M10	1.4571
HG40/190 T	40°±5 silicone	H25799	75	50	15	190	219	M8/M10	StZn

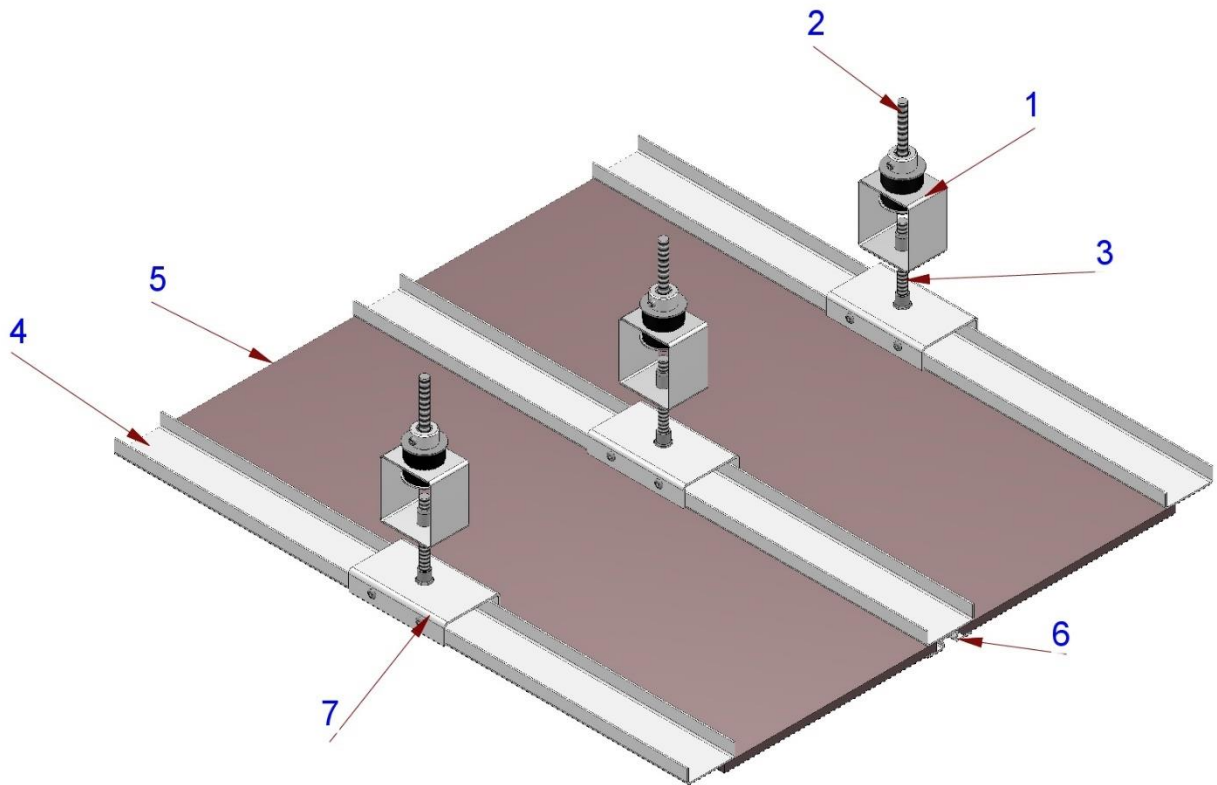
Advantages:

- Quick mounting
- High distance balance
- Installable in all positions
- Fire resistant
- Maximum permissible load= 250N/fastener

Other materials or dimensions on request



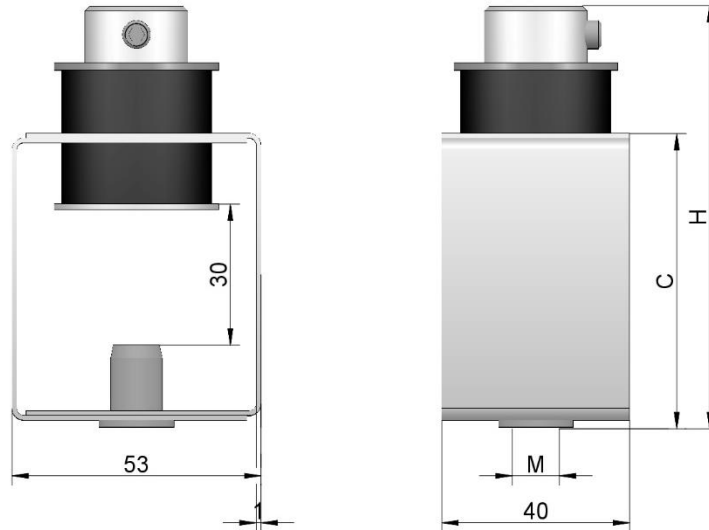
Application example fastener type HG40 GM



1. Fastener type HG40/60GM 40°shore
2. Welding stud M8
3. Threaded bar M8
4. Ceiling profile
5. Ceiling
6. cover rail
7. U-profile



Fastener type HG40 GM with vibrating element



Description	shore	part-no.	unit	dimension				for stud	material
				M	B	C	H		
HG 40/60 GM6	40°±5	H11227	100	M6	40	63	90	M8	StZn
HG 40/60 GM8	TPE	H11224		M8					
HG 40/60 GM6	50°±5	H25421		M6					
HG 40/60 GM8		H25399		M8					

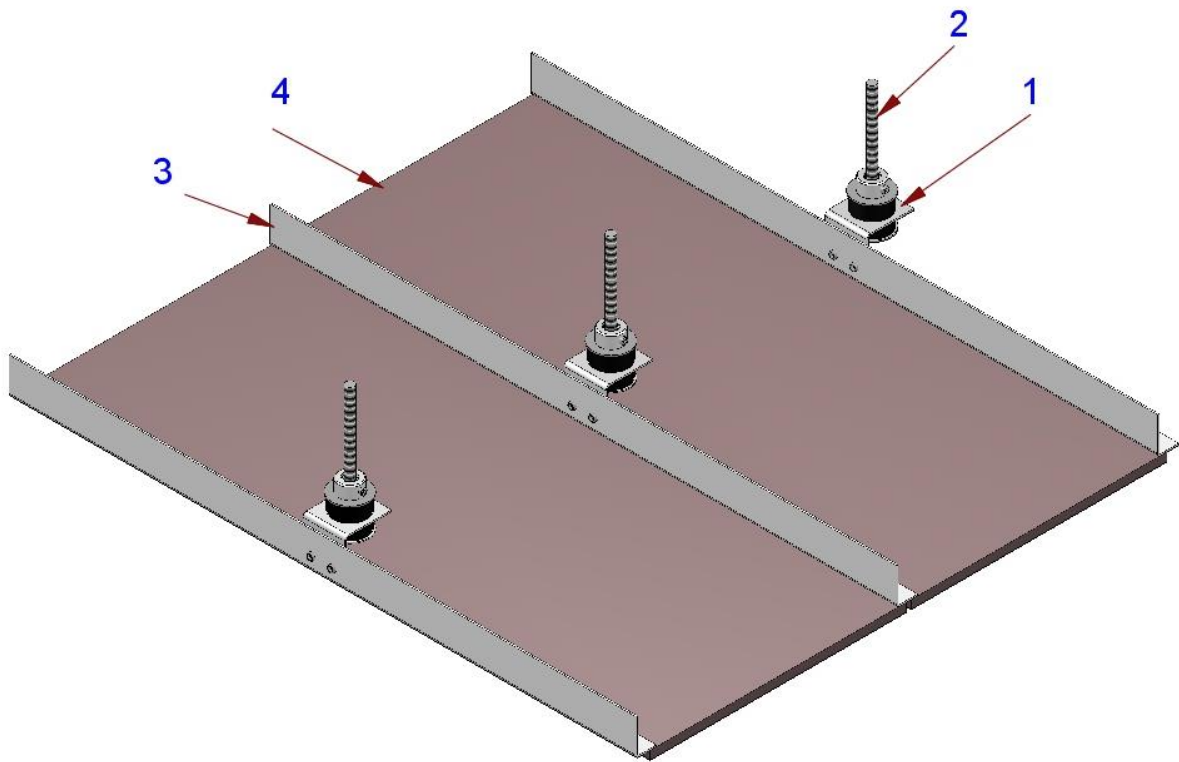
Advantages:

- Quick mounting
- High distance balance
- Installable in all positions
- Fire resistant
- Maximum permissible load= 250N/fastener

Other materials or dimensions on request



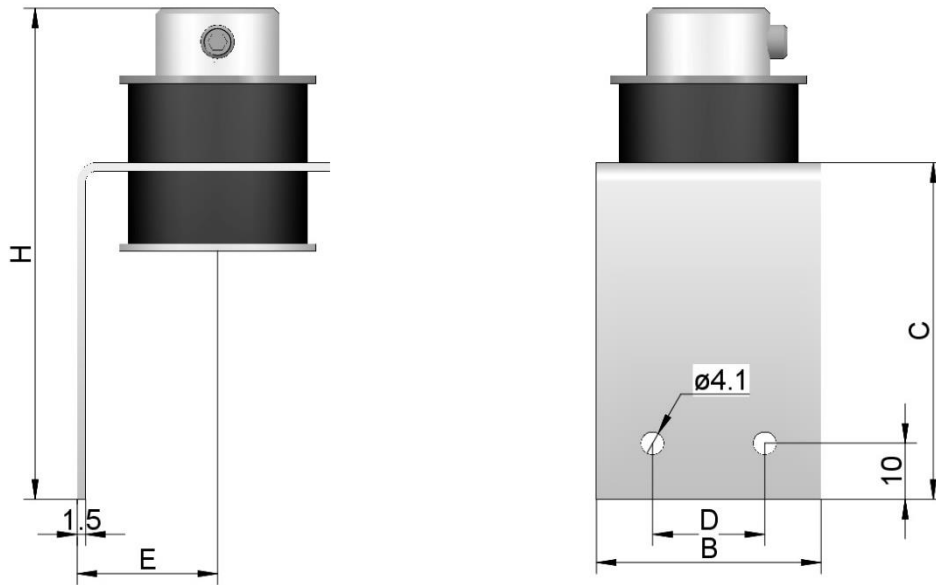
Application example fastener type HG40 W



1. Fastener type HG40/40W 40°shore
2. Welding stud M8
3. Ceiling profile
4. Ceiling



Fastener type HG40 W with vibrating element



description	shore	part-no.	unit	dimension					for stud	material
				B	C	D	E	H		
HG 40/20 W	40°±5 TPE	H25160	150	40	20	20	25	50	M8/8mm	StZn
HG 40/40 W		H25134	100		40			70		
HG 40/60 W		H13632			60			90		

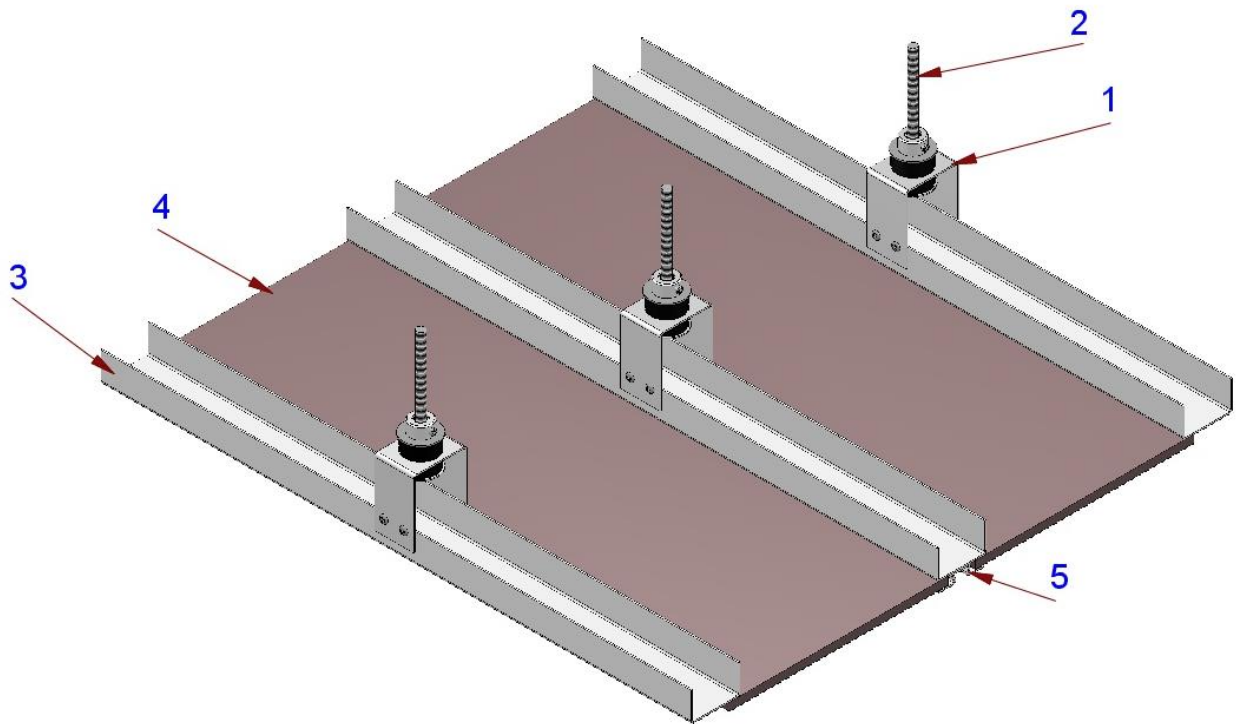
Advantages:

- Quick mounting
- High distance balance
- Installable in all positions
- Fire resistant
- Maximum permissible load= 250N/fastener

Other materials or dimensions on request



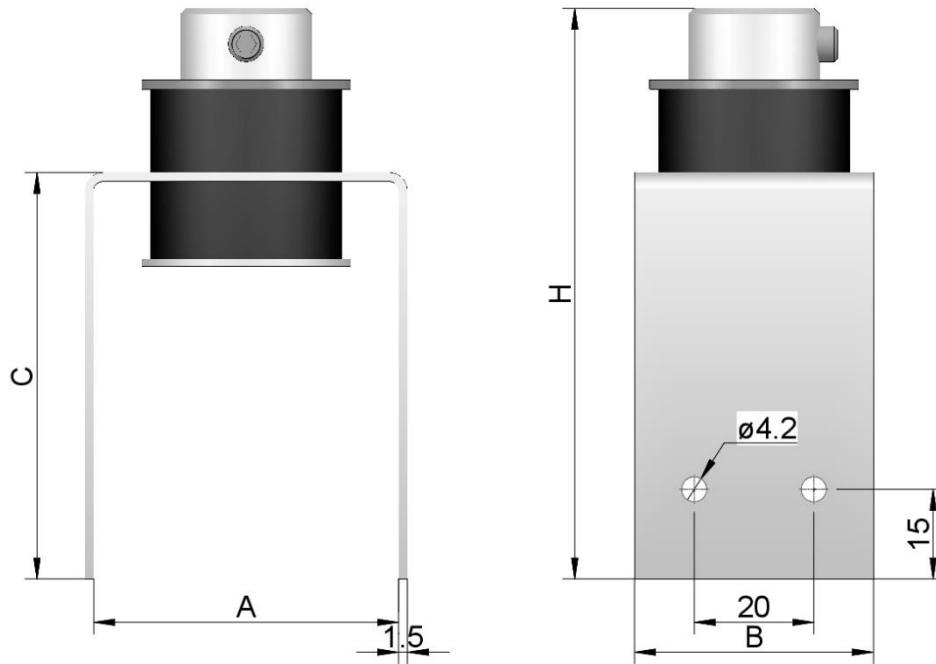
Application example fastener type HG40 U



1. Fastener type HG40/60U 40°shore
2. Welding stud M8
3. Ceiling profile
4. Ceiling
5. Cover profile



Fastener type HG40 U with vibrating element



description	shore	part-no.	unit	dimension				for stud	Material	remarks
				A	B	C	H			
HG40/25 U	40°±5 TPE	H25916	100	52	40	26	53	M8	StZn	with one hole 4,2
HG 40/50 U		H25897		55,5		50	77			without hole 4,2
HG 40/60 U		H26009		51		68	95			
HG 40/60 U	40°±5 silicone	H25958	159	51	40	68	86	M8	StZn	

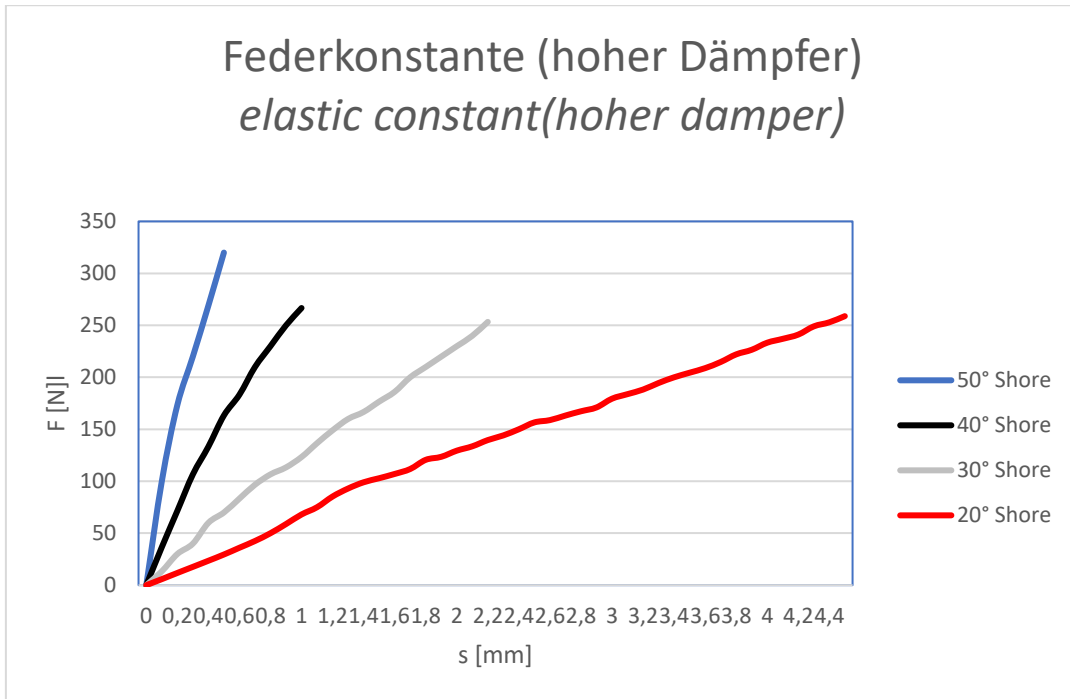
Advantages:

- Quick mounting
- High distance balance
- Installable in all positions
- Fire resistant
- Maximum permissible load= 250N/fastener

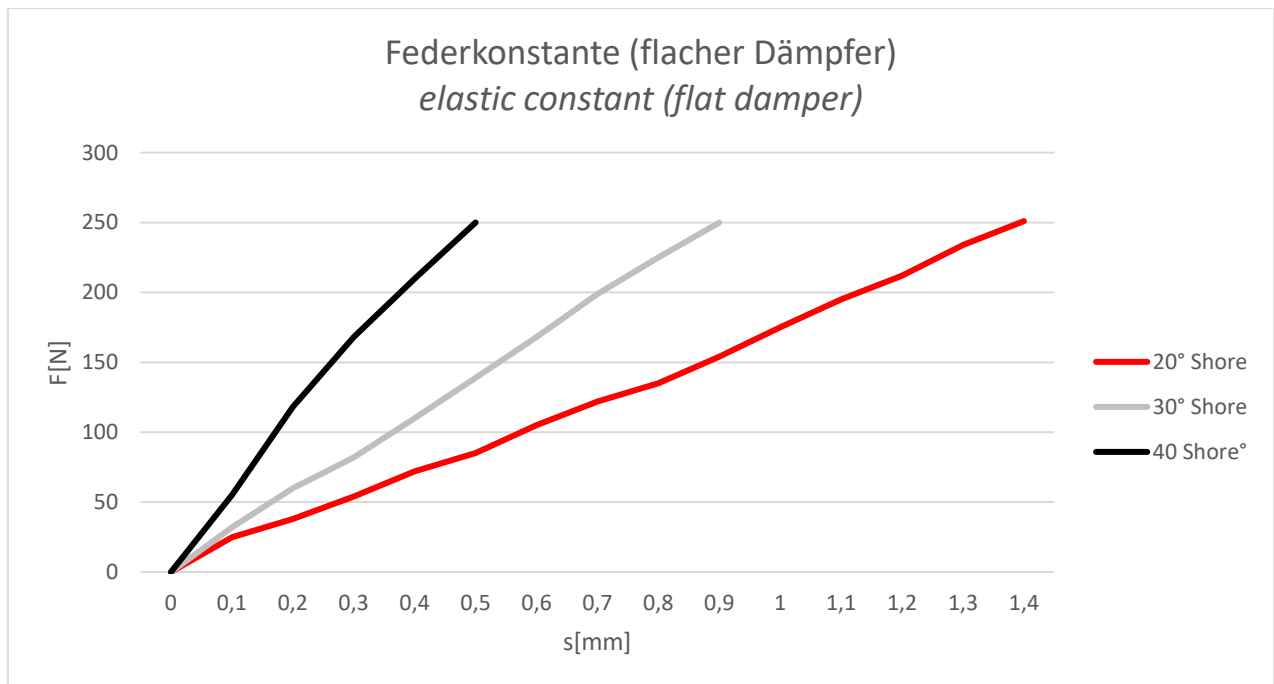
Other materials or dimensions on request



Elastic characteristics HG40



Shore hardness	mm/100N	mm/200N	mm/250N
20°	1,44	3,40	4,35
30°	0,74	1,69	2,18
40°	0,28	0,65	0,91
50°	0,10	0,25	0,35



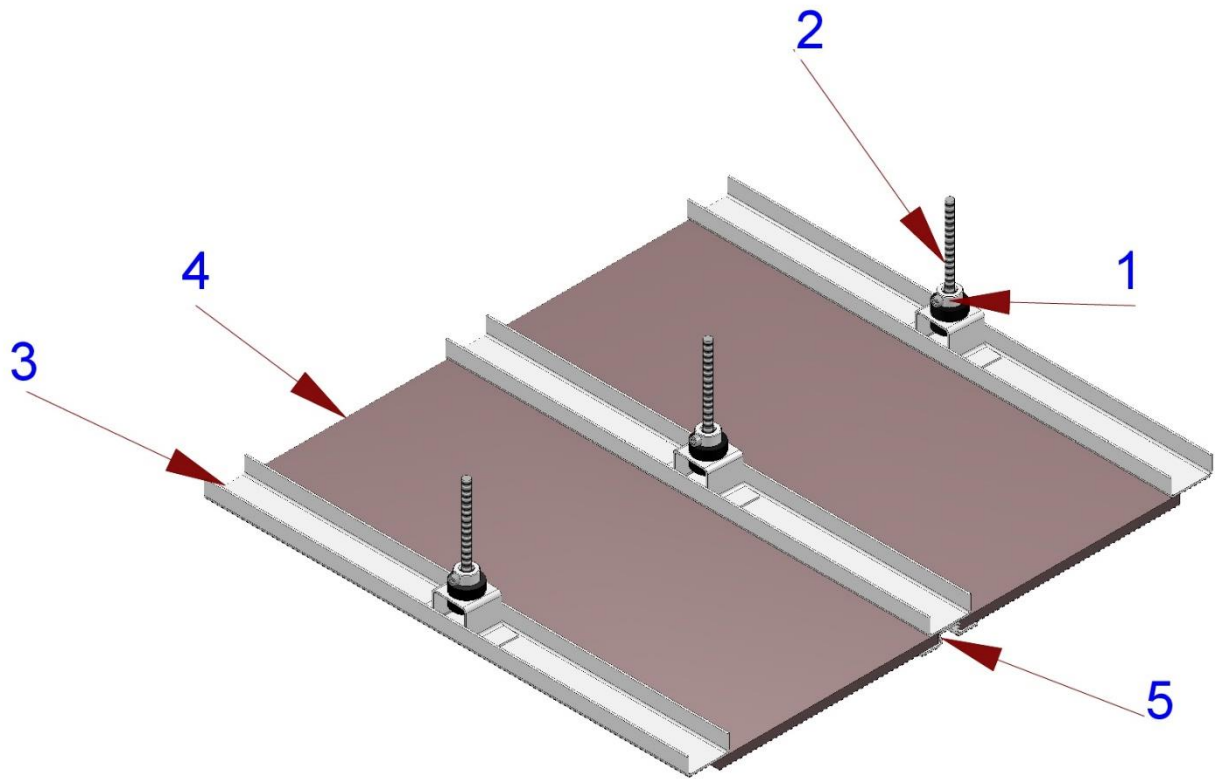
Shore hardness	mm/100N	mm/200N	mm/250N
20°	0,56	1,13	1,38
30°	0,35	0,71	0,86
40°	0,16	0,38	0,50

K2021-17-D/W

Hilbig GmbH • Postweg 204 • 21218 Seevetal • Germany



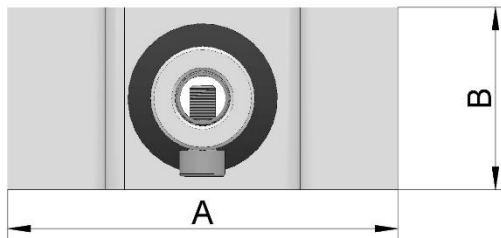
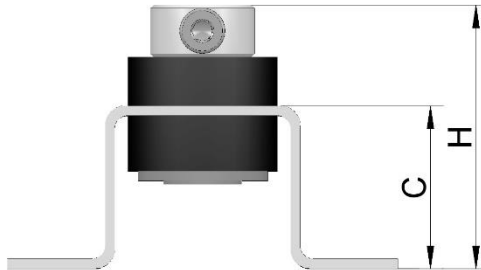
Application example fastener type HG 18 H



1. Fastener type HG18/25H 40°shore
2. Threaded bar M6
3. Ceiling profile
4. ceiling
5. cover profile



Fastener type HG18 H with vibrating element



description	part-no.	dimension				shore	For studs	material
		A	B	C	H			
HG 18/15 H	H13827	60	28	15	30	40° TPE	M6	StZn
HG 18/25 H	H11231			25	40			
HG 18/50 H	H14168			50	65			

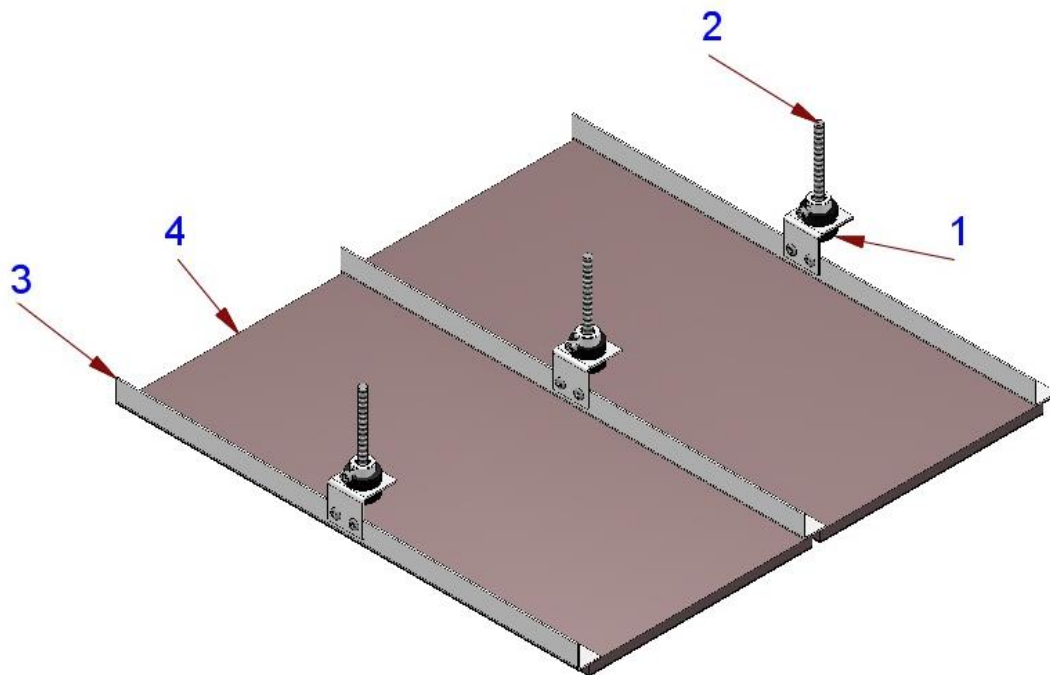
Advantages:

- Quick mounting
- High distance balance
- Installable in all positions
- Fire resistant
- Maximum permissible load= 150N/Halter

Other materials or dimensions on request



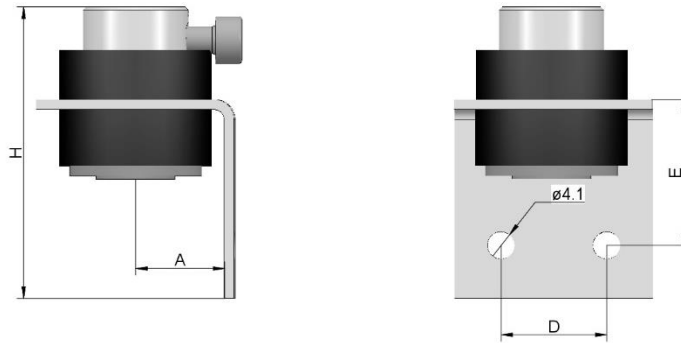
Application example fastener type HG 18 W



1. Fastener type HG18/30W 40°shore
2. Welding stud M6
3. Ceiling profile
4. Ceiling



Fastener type HG18 W with vibrating element



description	part-no.	dimension						shore	for stud	material
		A	B	C	D	E	H			
HG 18/30 W	H25066	15	30	30	16	22	46	40° TPE	M6	StZn
HG 18/60 W	H25071			60	16	52	76			
HG 18/80 W	H25072			80	16	72	96			
HG 18/100 W	H25070			100	16	92	116			

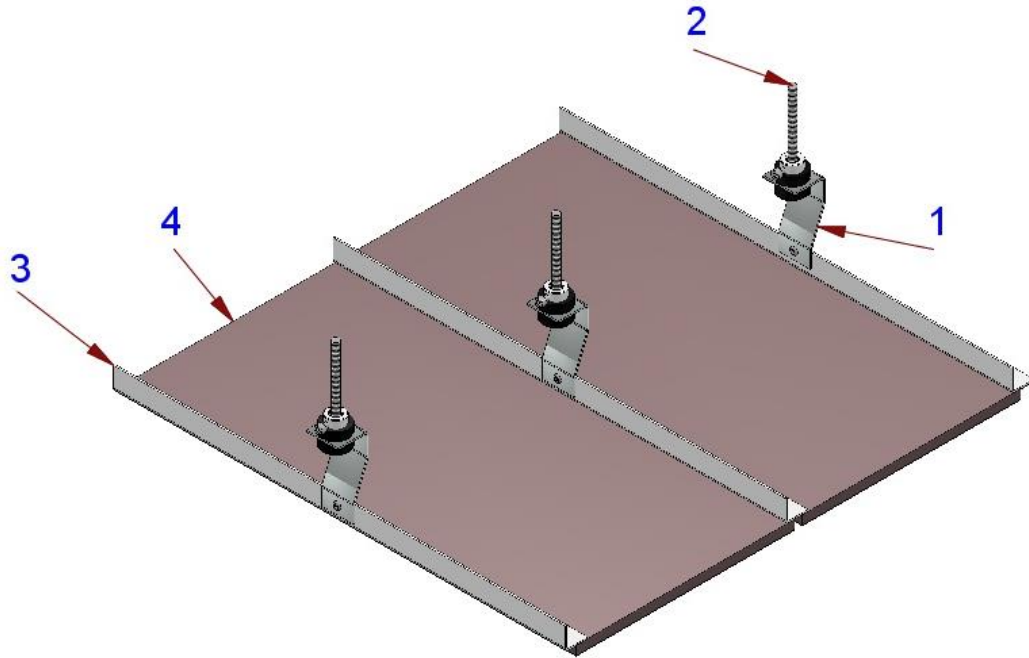
Advantages:

- Quick mounting
- High distance balance
- Installable in all positions
- Fire resistant
- Maximum permissible load= 150N/Halter

Other materials or dimensions on request



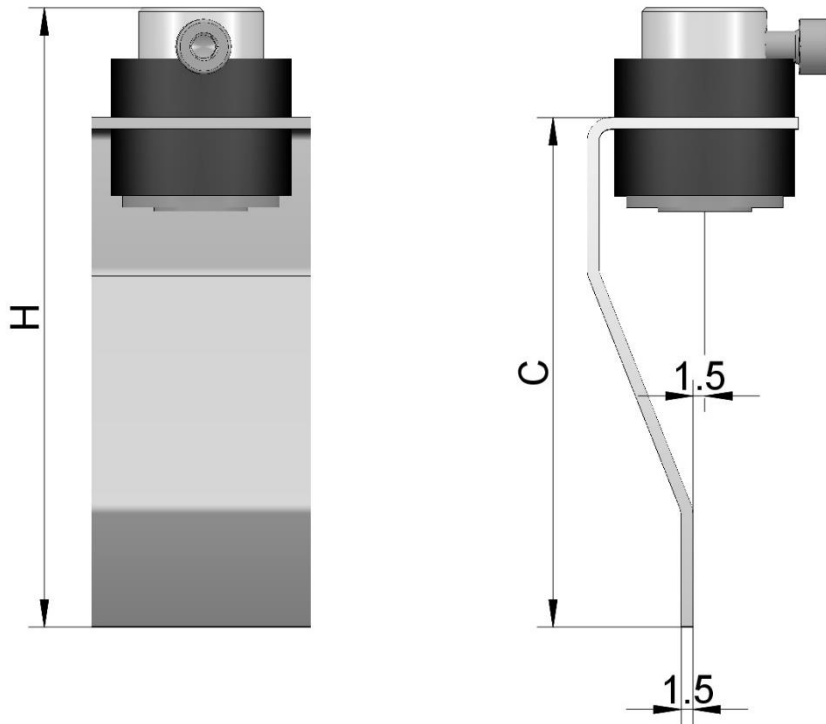
Application example fastener type HG 18 WM



1. Fastener type HG18/65WM 40°shore
2. Welding stud M6
3. Ceiling profile
4. Ceiling



Fastener type HG18 WM with vibrating element



description	part-no.	dimension		shore	for stud	material
		C	H			
HG 18/65 WM	H25846	65	79	40° TPE	M6	StZn

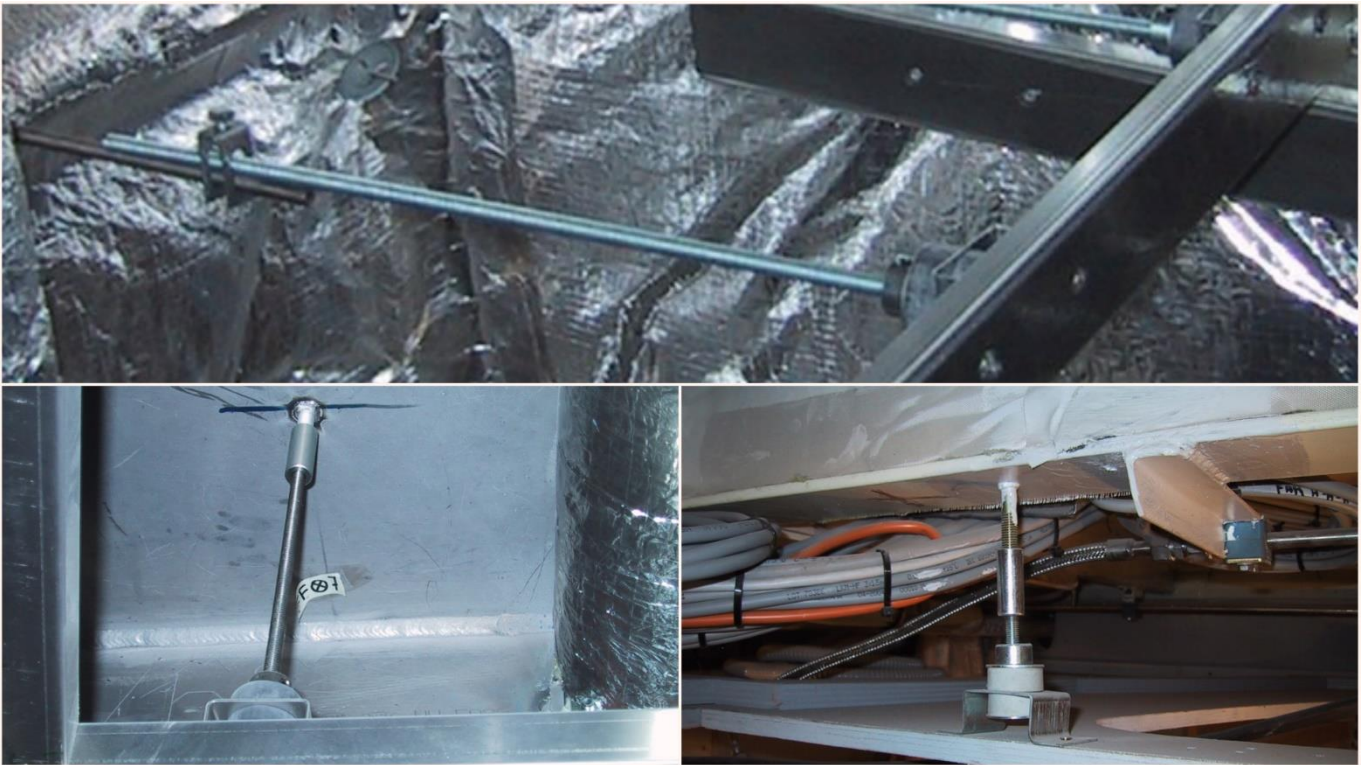
Advantages:

- Quick mounting
- High distance balance
- Installable in all positions
- Fire resistant
- Maximum permissible load= 150N/Halter

Other materials or dimensions on request

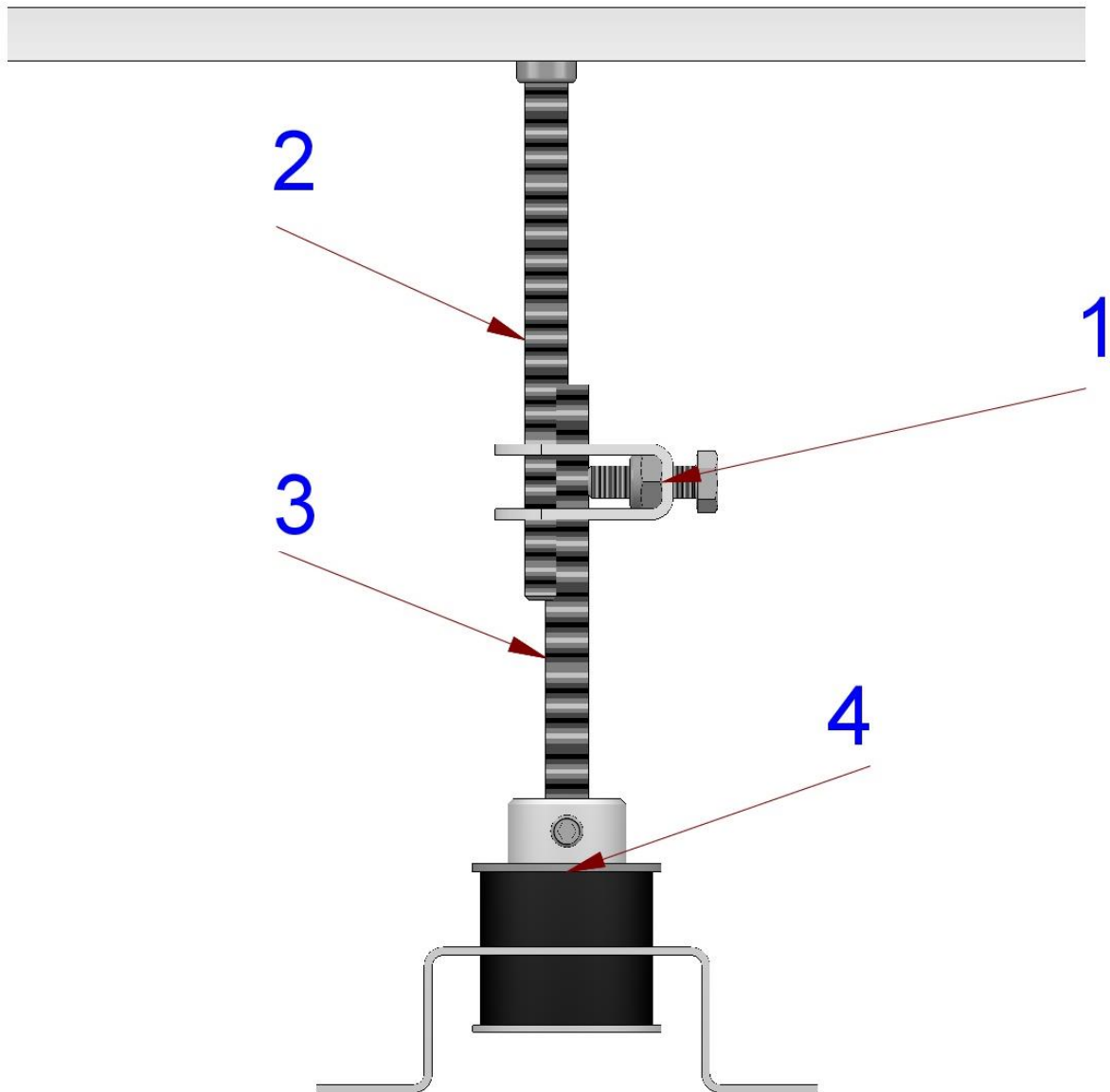


Application example suspension





Application example threaded stud connector type GS



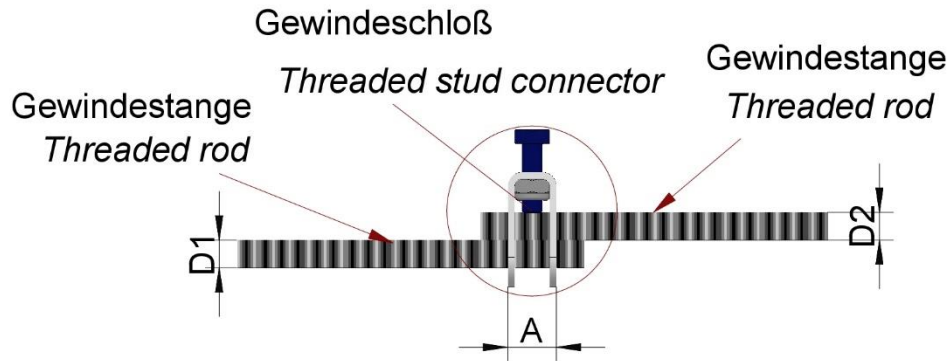
1. Threaded stud connector M8
2. Welding stud M8
3. Threaded bar M8
4. Fastener type HG40/25H 40°shore

K2021-25-D/W

Hilbig GmbH • Postweg 204 • 21218 Seevetal • Germany



Threaded stud connector type GS



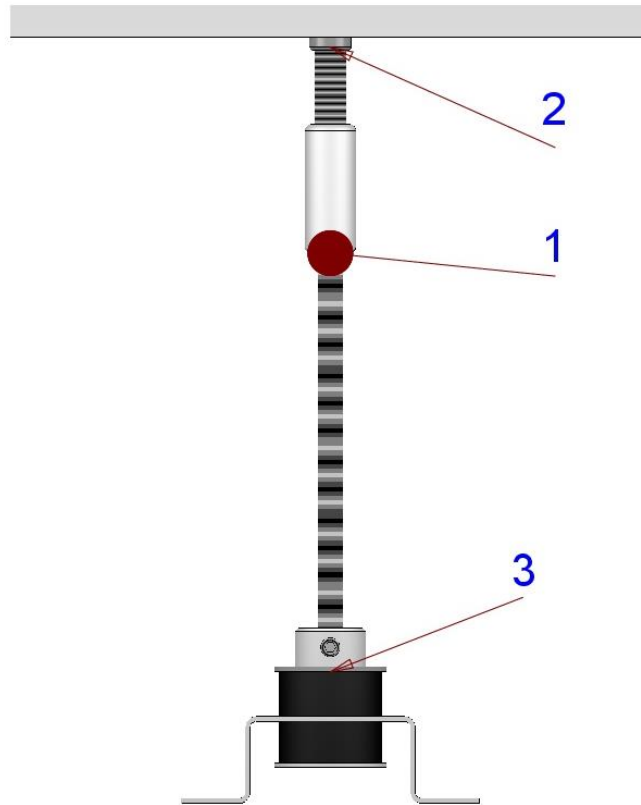
description	Part-no.	unit	dimension				material
			A	D1	D2	H	
GS 6	H25135	100	14	M6	M6	33	StZn
GS 6 HDO	H25186			M6	HDO		
GS 8	H10573			M8	M8		
GS 10	H10574			M10	M10		
GS 12	H10575		M12	M12			
			23	M12	M12	48	
GS 8	H25145	100	14	M8	M8	33	1.4301
GS 8	H25498	100	14	M8	M8	33	1.4571

Advantages:

- adjustable
- quick mounting
- high strength
- self locking nut
- detachable connection



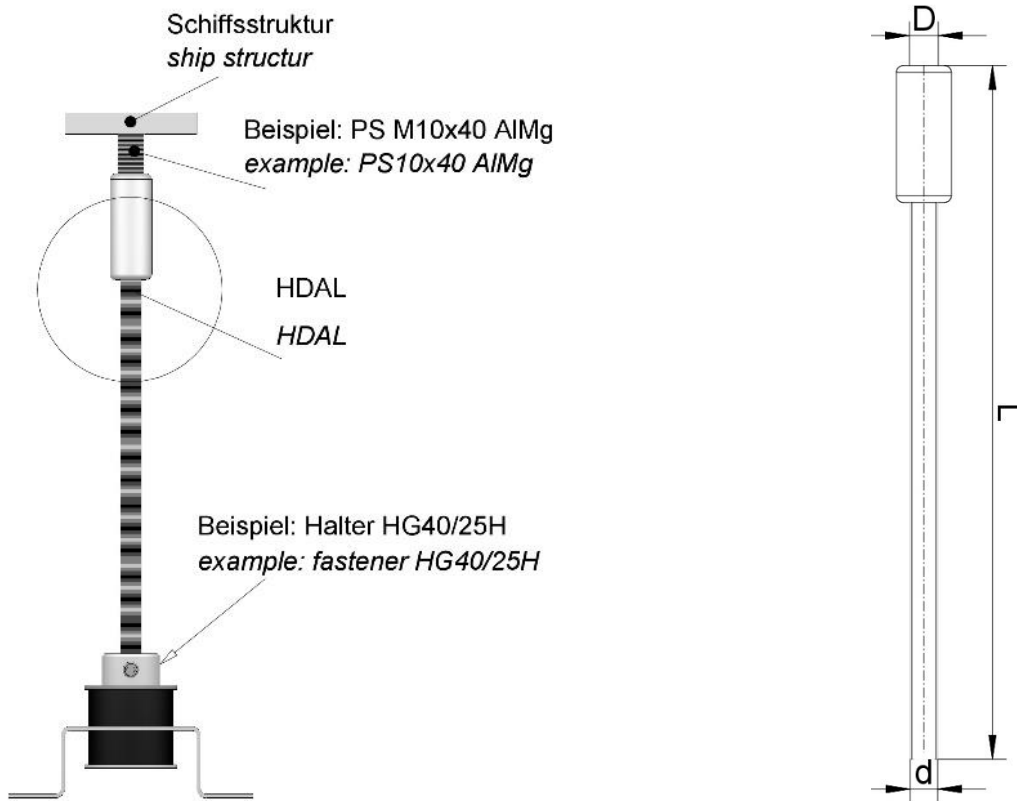
Application example ceiling suspension type HDAL



1. Ceiling suspension type HDAL M10/M8
2. Welding stud M10
3. Fastener type HG40/25H 40°shore



Ceiling suspension type HDAL



description	part-no.	dimension			material
		D	d	L	
HDAL	H17393	M10	M0	120	StZn
	H17143			130	
	H16995			180	
	H17266			190	
	H17286			220	
HDAL	H16933	M10	M8	100	StZn
	H17420			120	
	H16932			150	
	H16931			200	
	H16929			300	
	H17048			400	
	H16928			500	
HDAL	H17267	M10	M10	190	1.4571
	H17248			200	
	H17061			400	

Other materials or dimensions on request



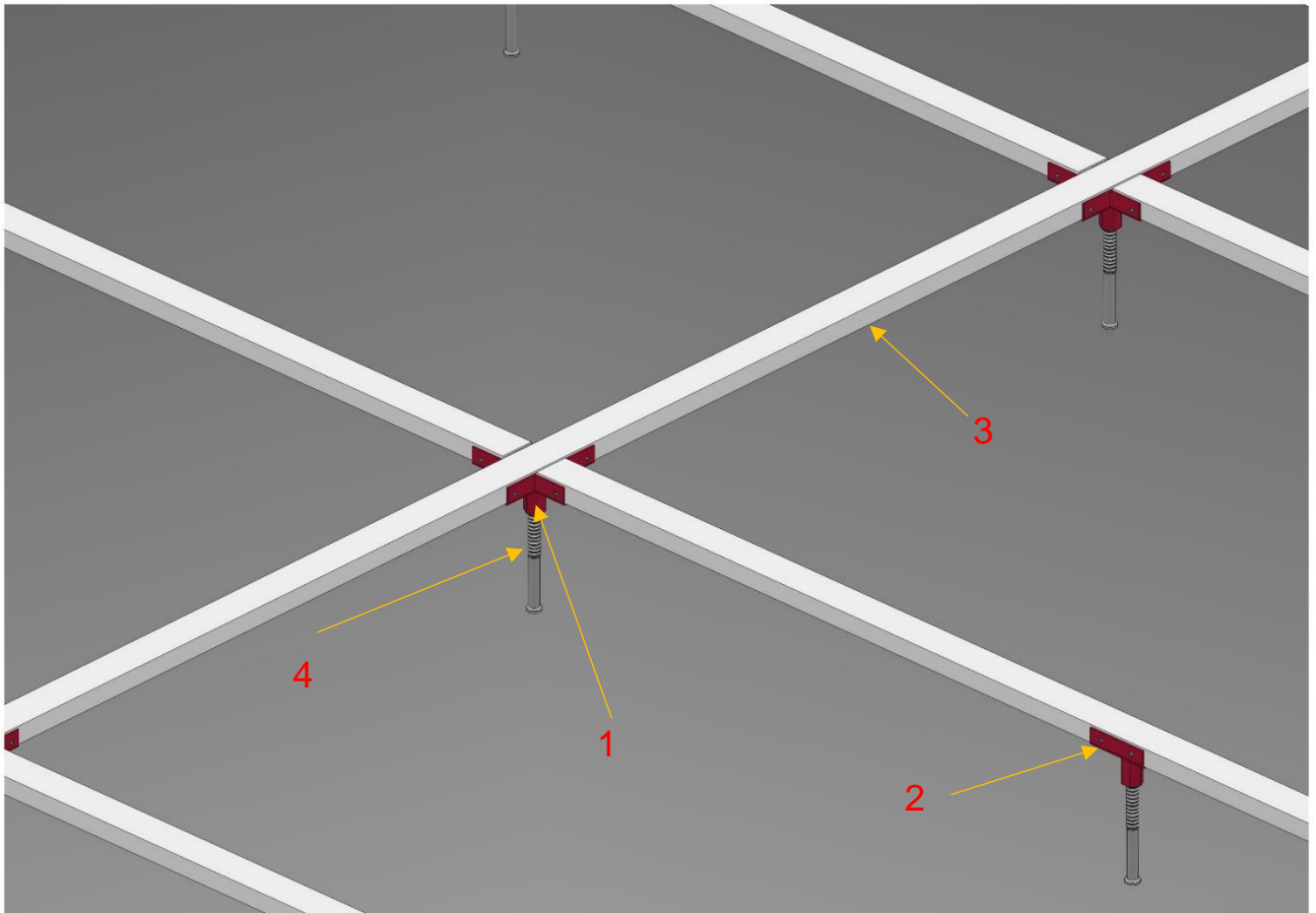
Application example floor support Type FBL



Hilbig floor supports type FBL can be used in areas which do not need to be isolated from vibrations and/or noises.



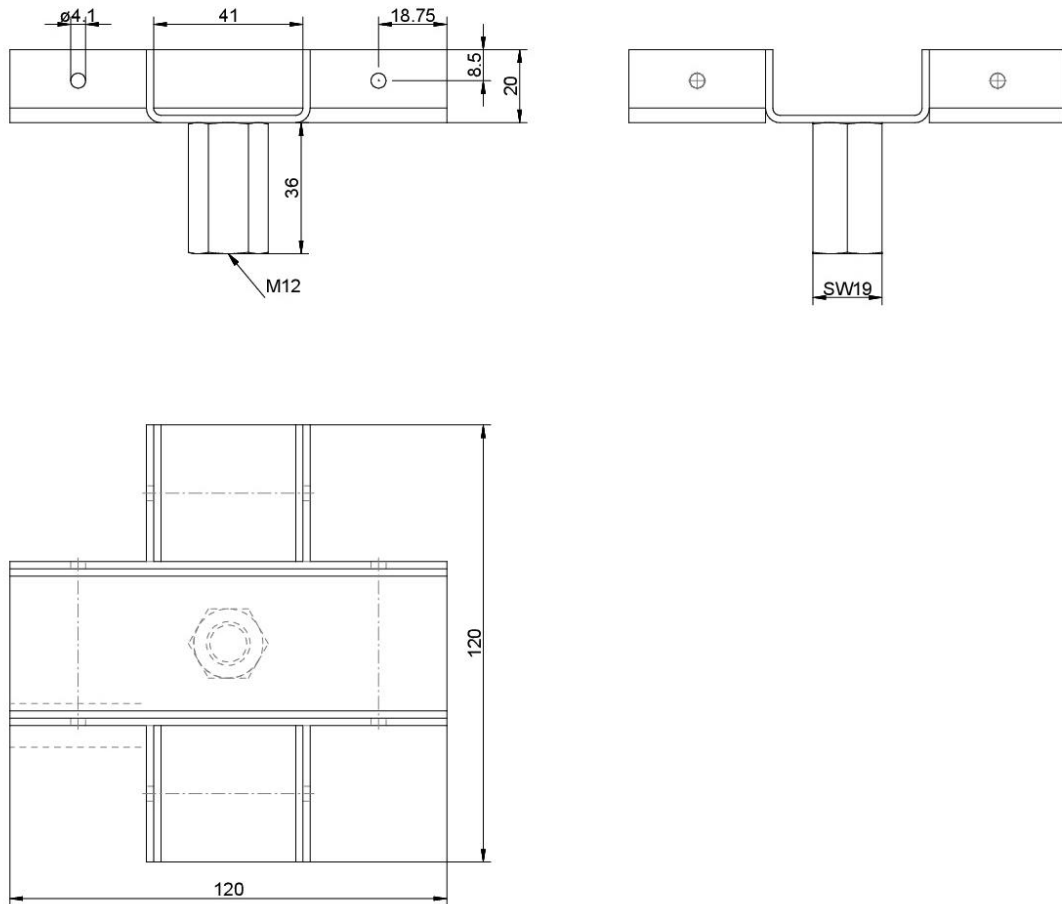
Application example Floor support without vibrating element FBL type K and type U



1. Floor support type FBL K
2. Floor support type FBL U
3. square tube aluminium
4. Welding stud M12



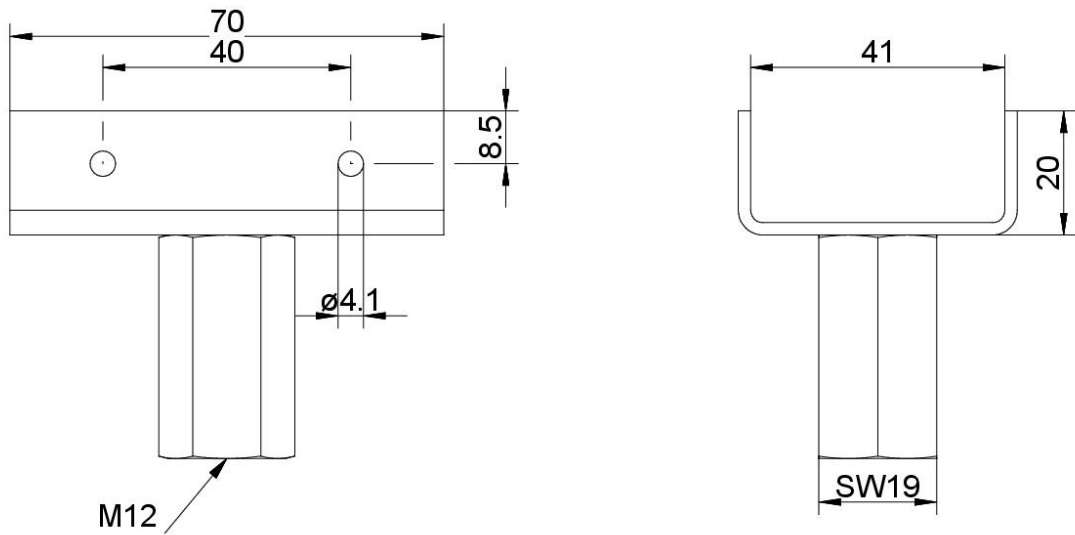
Floor support without vibrating element FBL K



part-no: H25837
surface painted
Adjustment range steel ca.26mm
for square tube 40x20x2mm
Threaded bolts must be ordered separately



Floor support without vibrating element type FBL U



part-no: H25455
surface painted
adjustment range steel ca.26mm
for square tube 40x20x2mm
threaded bolts must be ordered separately

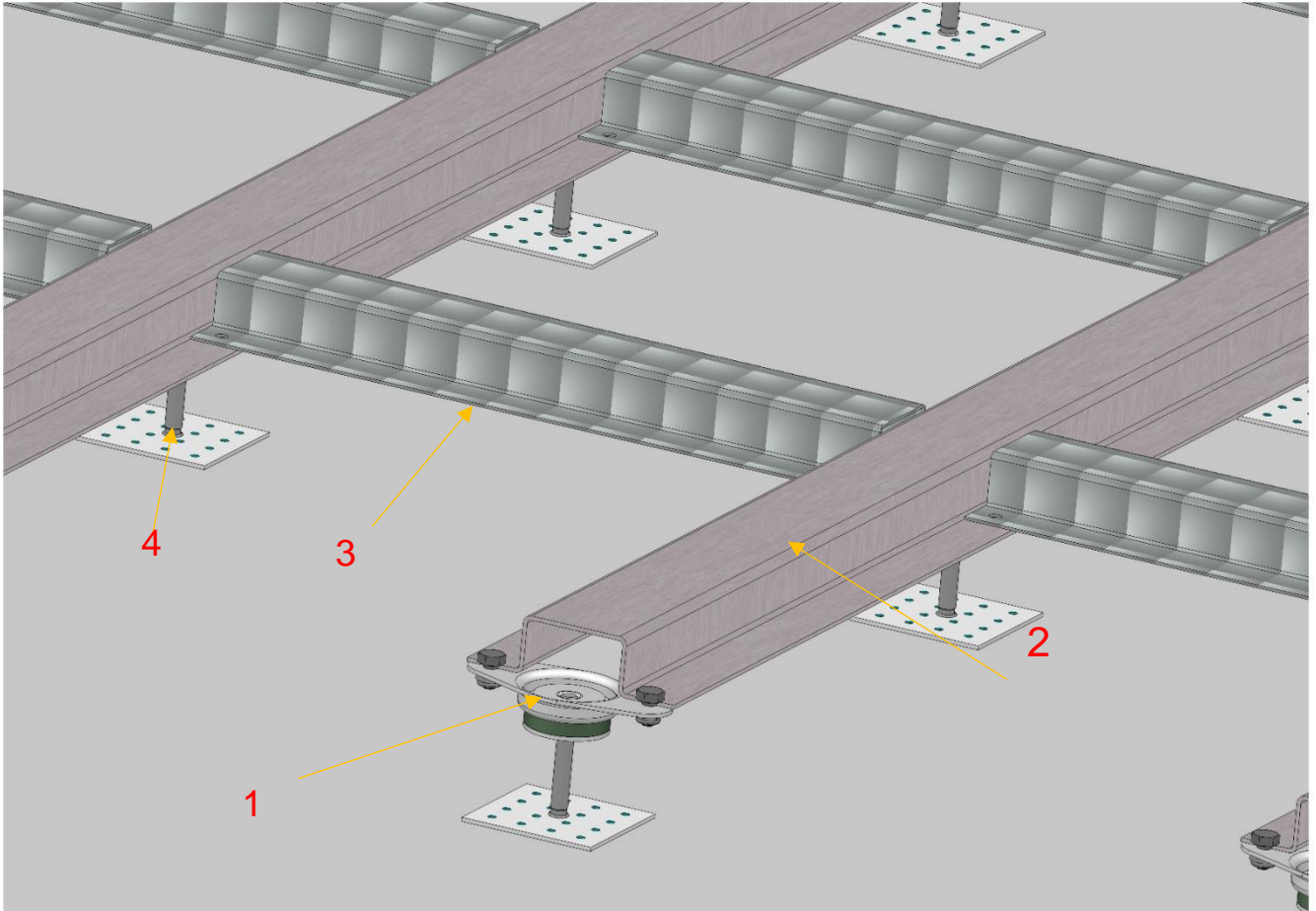


Application example floor support type FBLE



Hilbig floor supports type FBLE can be used in areas which need to be isolated from vibrations and/or noises.

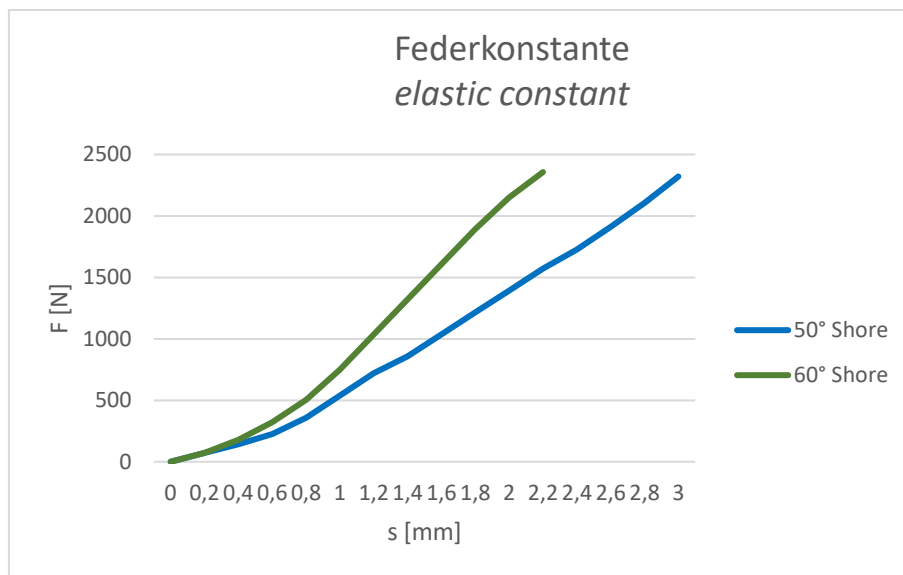
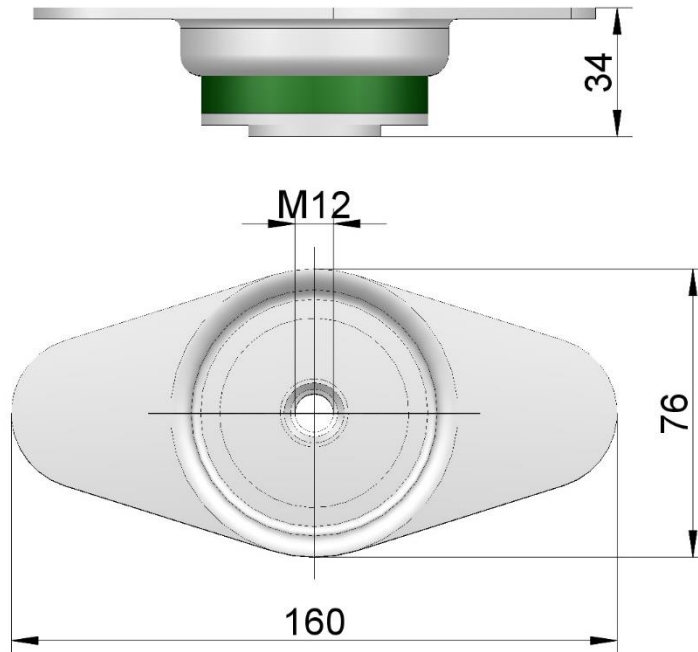
Application example floor support with vibrating element type FBLE



1. Floor support type FBLE 60°shore
2. floor profile 160
3. floor profile 140
4. Bonding fastener type HKL70x70x3-M12x90



Floor support with vibrating element type FBLE



part-no.:50°Shore H25416
Part-no.:60°Shore H25417
Material: StZn/TPE
Adjustment range ca.17mm

Other materials or dimensions on request



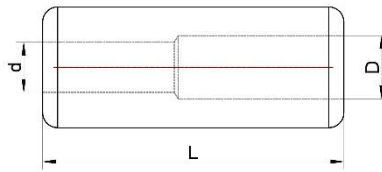
Assembly parts

Threaded rod DIN976-1

size: M5, M6, M8, M10, M12

material: 4.8, 4.8-A2K, A2-50, A4-50

reduction sleeve



Other materials dimensions on request

tapped sleeve



Other materials dimensions on request

standard parts

- Hexagon nut according to DIN934
- Hexagon nut according to DIN985
- Hexagon nut according to DIN6334
- Hexagon nut with rotating washer
- washer according to DIN125
- washer according to DIN9021

other materials or dimensions on request

K2021-36-D/W

Hilbig GmbH • Postweg 204 • 21218 Seevetal • Germany